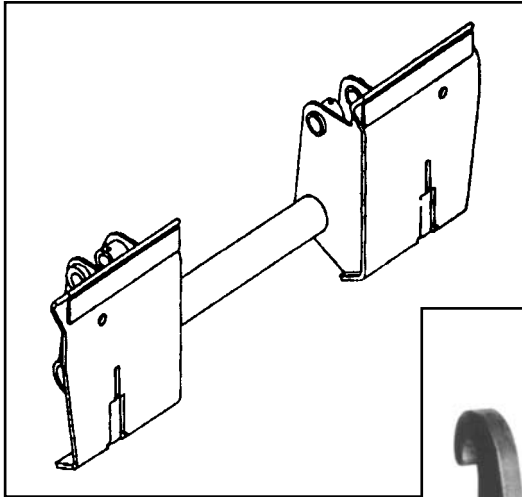




Wheel-to-Skid Steer Loader Adapter

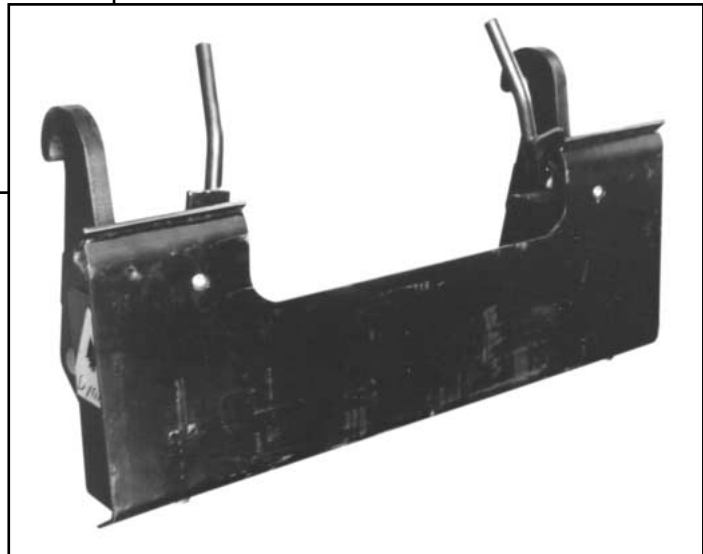
to use Skid-Steer Attachments on
Small Wheel Loaders

Make compact wheel loaders even more productive



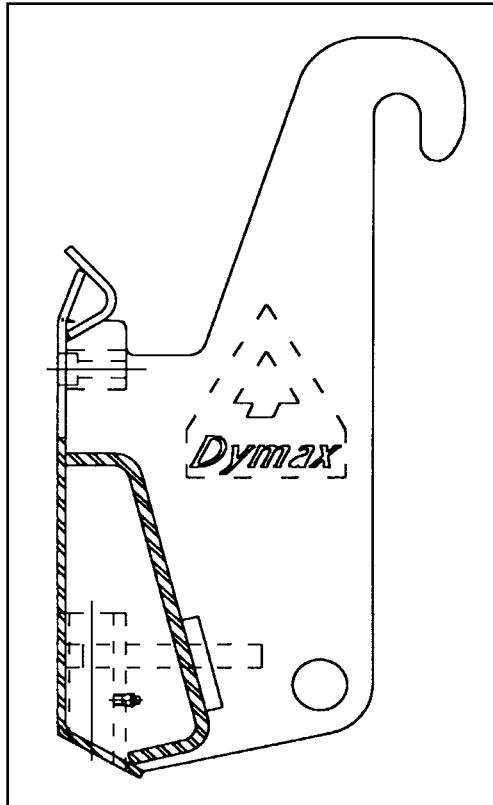
The **Dymax Wheel-to-Skid-Steer Loader Adapter** allows small wheel loaders to take advantage of the numerous useful skid-steer attachments.

The **Dymax Wheel-to-Skid-Steer Loader Adapter** is available as a pin-on coupler as shown in the illustration above or as a quick-coupler-compatible attachment as shown in the photo at right.



- **Dymax Wheel-to-Skid-Steer Loader Adapters** for small wheel loaders working with attachments equipped with skid-steer universal mounting plates are the perfect solution to multiple machine applications.
- The **Dymax Wheel-to-Skid-Steer Loader Adapter** is available as a pin-on unit for direct pinning on the wheel loader lift arms, insuring the full productivity of the machine and attachments.
- The **Dymax Wheel-to-Skid-Steer Loader Adapter** is also available with proprietary coupler hooks installed, thus allowing the wheel loader to utilize both the intended skid-steer attachments and its own wheel loader attachments.
- The **Dymax Wheel-to-Skid-Steer Loader Adapter** is an ideal addition to machine rental inventories as it enables available compact loaders to use the full array of skid-steer attachments.

Wheel-to-Skid Steer Loader Adapter



Machine rental businesses will get more hours billed on existing machines AND attachments with the addition of the adapter plate to the on-hand inventory of attachments.



The distance that the load's center of gravity moves forward when using the adapter varies depending on the machine and the attachment. Consult with Dymax Sales for your machine.

-
- The **Dymax 14" Land Clearing Shear** pictured above with **Wheel-to-Skid-Steer Loader Adapter** locked in place demonstrates how the adapter makes one of these popular skid-steer attachments work with a coupler-equipped compact wheel loader.
 - Using the **Dymax Wheel-to-Skid-Steer Loader Adapter** does involve a compromise in the capacity of the wheel loader when operating with the skid-steer attachments since the load is shifted forward a few inches.
-

Materials and specifications subject to change without notice.



402 Miller Drive • P.O. Box 297 • Wamego, Kansas • 66547 • 1-800-530-5407
www.DYMAXattachments.com

Form No. 3401 (2-01)